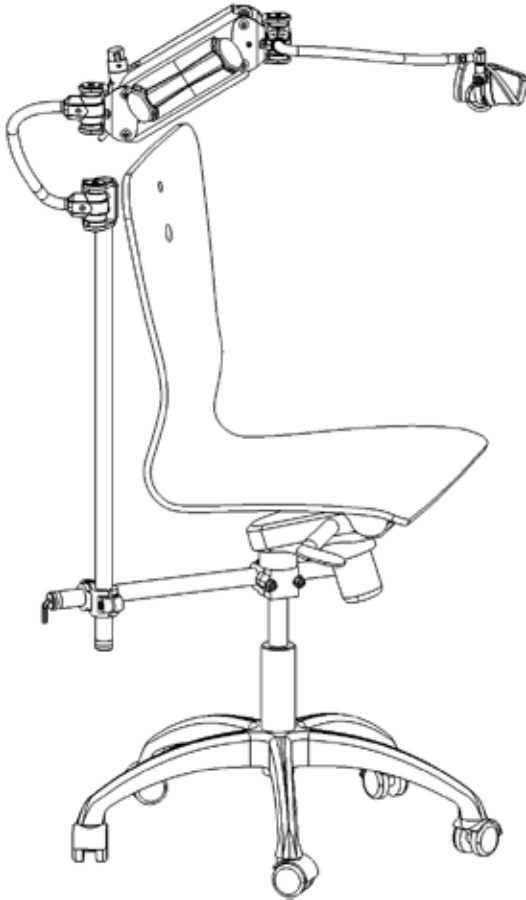


X·Ar

Quick Start Guide



Chair Mounted Configuration of X-Ar

Equipois Inc.
5440 McConnell Avenue
Los Angeles, CA 90066
(310) 736-4130

equipois®
DEFY GRAVITY®

info@equipoisinc.com | www.equipoisinc.com

Table of Contents

Box Contents X-Ar Chair Mount	1
Chair Mount Assembly	2

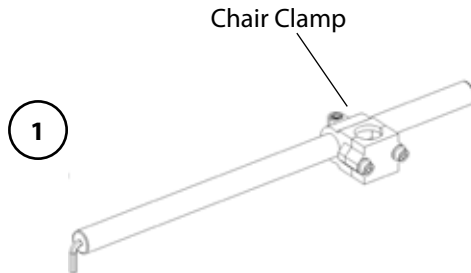
Read Me!

Tools required for assembly:

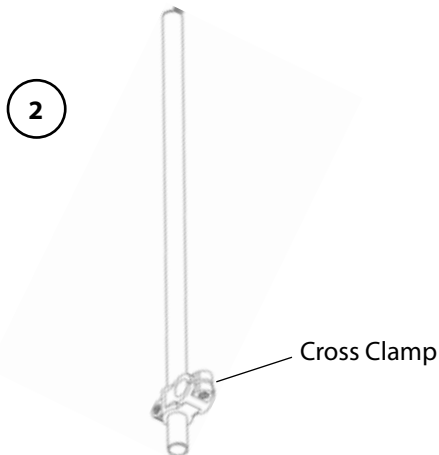
- 6 mm Allen wrench (included)



Box Contents Chair Mount Kit



1. Horizontal post with chair clamp



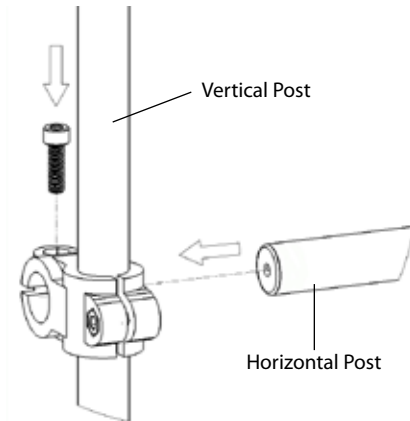
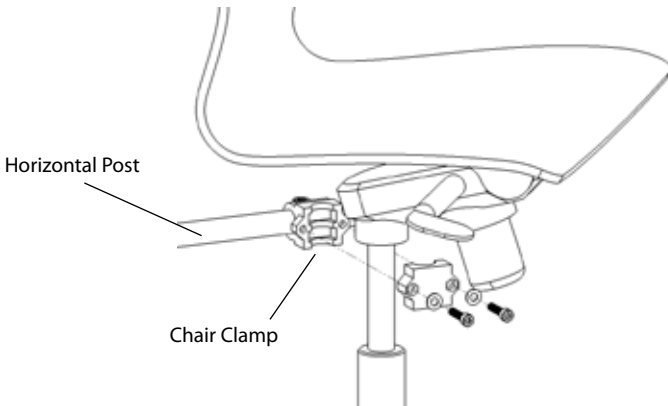
2. Vertical post with cross clamp

Chair Mount Assembly

Note: Do not fully tighten screws at this step as adjustments to chair mount position will be made when arm is mounted.

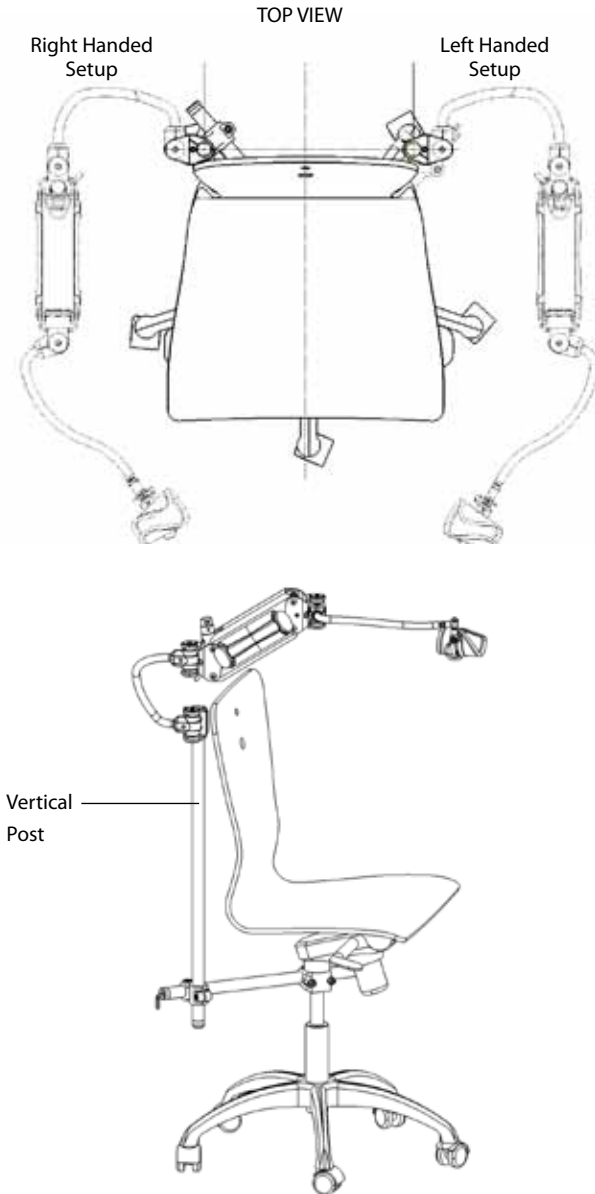
Step 1

- Assemble chair clamp to cylinder (use included 6mm allen wrench)
- Place clamp as high as possible to allow for natural chair height adjustment
- Assemble cross clamp to horizontal post



Step 2

- Adjust posts into position as shown in "Top view"
- Make sure vertical post is straight up, bubble level on arm mount will help final positioning



Thank you for your X-Ar purchase

To receive X-Ar announcements, and future accessory product announcement offers, email us at **X-Ar@equipoisinc.com**.

For information about the Equipois zeroG product line, visit us online at **www.equipoisinc.com**. zeroG is mechanical arm technology that allows workers to hold tools, parts, and other payloads and operate as if weightless with unmatched freedom of motion.

For additional details about your X-Ar product including product updates, maintenance data and additional information about the X-Ar user community, please visit <http://www.equipoisinc.com/products/xAr/>.

equipois®

Equipois Inc.
5440 McConnell Avenue
Los Angeles, CA 90066
(310) 736-4130

info@equipoisinc.com
www.equipoisinc.com